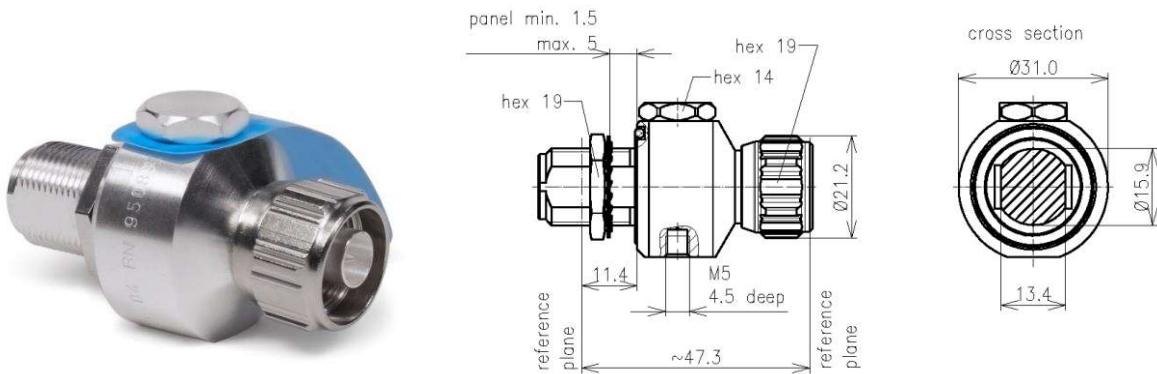


Surge Protector for gas discharge arrester, Type N | BN 950880



All dimensions in millimeter

Radio frequency characteristics

Interface type	N plug (50 Ω) per IEC 61169-16 N socket (50 Ω) per IEC 61169-16
Version	bulkhead mounting
Frequency range	DC to 2.7 GHz
VSWR, max.	1.06 @ DC to 1.0 GHz 1.20 @ 1.0 to 2.5 GHz 1.40 @ 2.5 to 2.7 GHz
Insertion loss, max.	0.1 dB
Static sparkover voltage	90 / 230 / 600 / 1000 V

Mechanical characteristics

Inner conductor material / surface finish	copper alloy / silver plated
Outer conductor material / surface finish	copper alloy / silver plated
Other metal parts / surface finish	copper alloy / nickel plated
Insulation	PTFE
Sealing	silicone rubber
IP protection level	IP67 per EN 60529 (interface connected with appropriate gasket)
Weight, approx.	160 g

Environmental conditions

Operating temperature range	-40 to +85 °C
-----------------------------	---------------

Scope of delivery and accessories

Scope of delivery	panel sealing, installation and grounding instructions		
Accessories	gas discharge arrester	90 V 230 V 600 V 1000 V	A71307 A71308 A71311 A71313